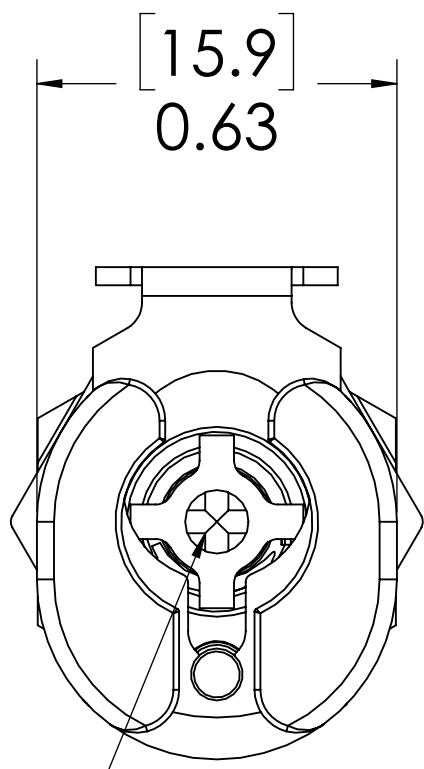
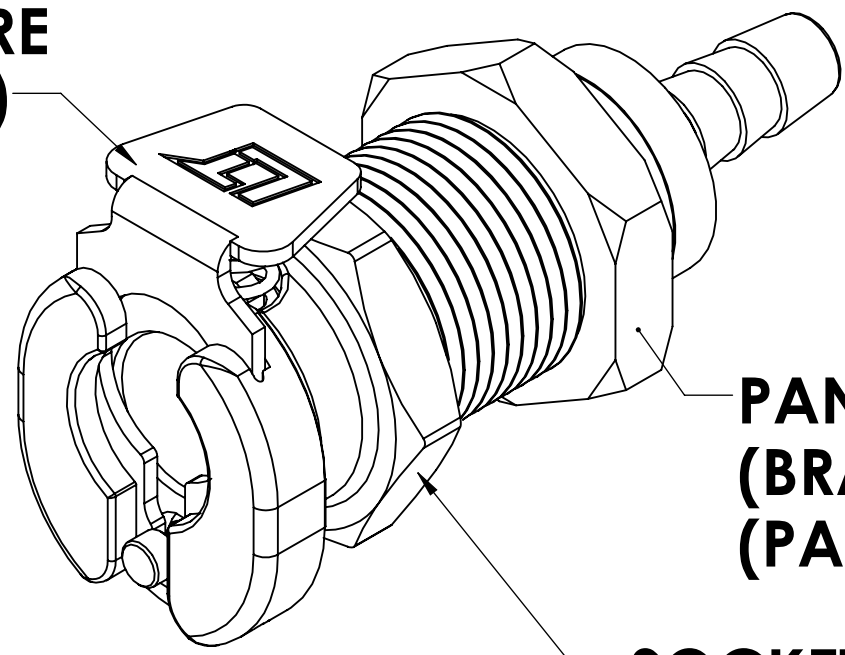


REVISIONS						
SHEET	ZONE	REV.	ECO	DESCRIPTION	DATE	APPROVED
1	ALL	A	50253	UPDATE DWG TO CURRENT FORMAT & STANDARDS	10/30/2018	HRC

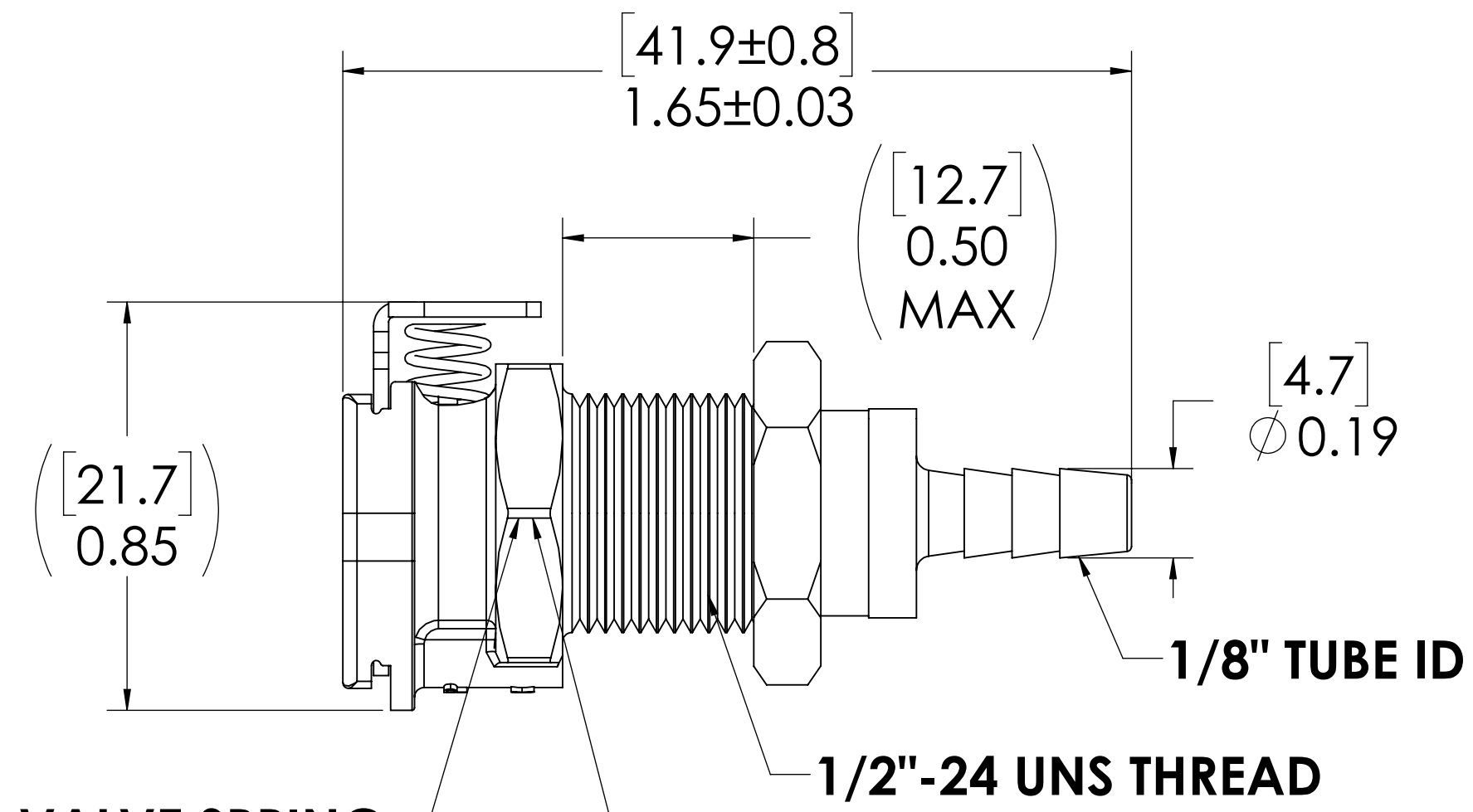
**LATCH HARDWARE  
(STAINLESS STEEL)**

**PANEL NUT  
(BRASS, NICKEL PLATED)  
(PACKAGED SEPARATELY)**

**SOCKET  
(POLYPROPYLENE)**

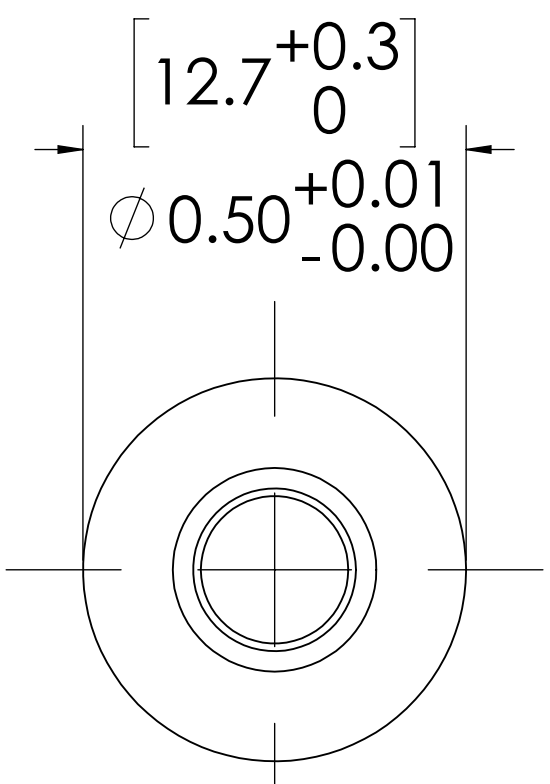


**VALVE  
(POLYPROPYLENE)**



**VALVE SPRING  
(STAINLESS STEEL)**

**VALVE O-RING  
INTERNAL  
(EPDM)**



**PANEL OPENING  
(SECTION A-A)**

**NOTES:**

- MATERIAL: POLYPROPYLENE
- COLOR: MOLDED ALMOND
- O-RING MATERIAL: EPDM
- O-RINGS LUBRICATED WITH FOOD GRADE SILICONE OIL, 350 CST.

**FOR REFERENCE ONLY**

<small>UNLESS OTHERWISE SPECIFIED: DIMENSIONS ARE IN INCHES TOLERANCES: FRACTIONAL ± 1/32 ANGULAR, MACH ± 0.5 BEND ± 2 ONE PLACE DECIMAL ± 0.1 TWO PLACE DECIMAL ± 0.01 THREE PLACE DECIMAL ± 0.005 TWO PLACE DUAL (mm) [± 0.12]</small>	DRAWN	LMP	6/7/2018	
	CHECKED	HRC	6/7/2018	
	ENG APPR.	HRC	10/30/18	
	MFG APPR.	BDB	10/30/18	
<small>PROPRIETARY AND CONFIDENTIAL</small>	PURCHASING	LS	10/30/18	<b>PART NO: 20PPV-SE3-02MALD</b>
<small>THE INFORMATION CONTAINED IN THIS DRAWING IS THE SOLE PROPERTY OF LINKTECH LLC. ANY REPRODUCTION OR DISCLOSURE IN PART OR AS A WHOLE WITHOUT THE WRITTEN PERMISSION OF LINKTECH LLC IS STRICTLY PROHIBITED.</small>	COMMENTS:			<small>DESCRIPTION:</small> <b>LinkTech 20PP Series Panel Mt. Female, Valved, 1/8" HB, Molded Almond Color, Polypropylene</b>
	SIZE	DWG. NO.	REV	
	<b>C</b>	<b>20PP200208</b>	<b>A</b>	
	SCALE: NTS	WEIGHT:		SHEET 1 OF 1